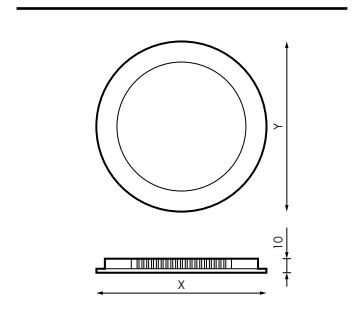
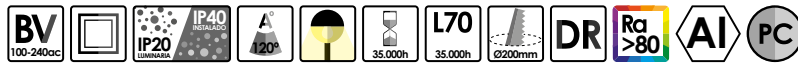


Breno II



CÓDIGO	POTENCIA	FLUJO	CCT	COLOR	DIMENSIONES	ØCORTE
404761	18W	1.385lm	3.000K	BI Blanco	Ø225 x 10mm	Ø200mm
404778	18W	1.458lm	4.000K	BI Blanco	Ø225 x 10mm	Ø200mm
404785	18W	1.535lm	6.500K	BI Blanco	Ø225 x 10mm	Ø200mm
404792	18W	1.385lm	3.000K	Ni Níquel	Ø225 x 10mm	Ø200mm
404808	18W	1.458lm	4.000K	Ni Níquel	Ø225 x 10mm	Ø200mm



POTENCIA: **Ver tabla**
TENSIÓN: **100-240V**
CLASE: **II**
Cosφ: **>0.5**
IP: **20**
IP INSTALADO: **40**
FLUJO: **Ver tabla**
TEMPERATURA DE COLOR: **Ver tabla**
Ra: **>80**
LÁMPARA: **LED**
HORAS DE VIDA: **35.000h**
L70 > 35.000h
COLOR: **Ver tabla**
DIMENSIONES: **Ver tabla**
CUERPO: **Aluminio**
DIFUSOR: **Polycarbonato**

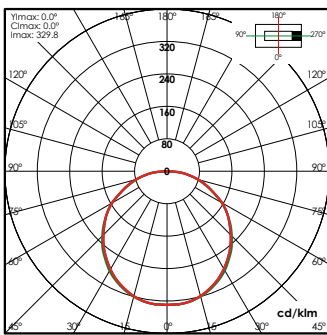
POWER: **See table**
VOLTAGE: **100-240V**
CLASS: **II**
Cosφ: **>0.5**
IP: **20**
INSTALLED IP: **40**
FLUX: **See table**
COLOR TEMPERATURE: **See table**
Ra: **>80**
LAMP: **LED**
LIFETIME: **35.000h**
L70 > 35.000h
COLOR: **See table**
MEASURE: **See table**
BODY: **Aluminium**
DIFFUSER: **Polycarbonate**

PUISANCE LAMPE: **Voir tableau**
TENSION D'ALIMENTATION: **100-240V**
CLASSE ÉLECTRIQUE: **II**
Cosφ: **>0.5**
IP: **20**
IP INSTALLÉ: **40**
FLUX: **Voir tableau**
TEMPÉRATURE DE COULEUR: **Voir tableau**
Ra: **>80**
LAMPE: **LED**
HEURES DE VIE: **35.000h**
L70 > 35.000h
COULEUR: **Voir tableau**
DIMENSIONS: **Voir tableau**
CORPS: **Aluminium**
DIFFUSEUR: **Polycarbonate**

POTÊNCIA: **Ver tabela**
TENSÃO: **100-240V**
CLASSE: **II**
Cosφ: **>0.5**
IP: **20**
IP INSTALADO: **40**
FLUJO: **Ver tabela**
TEMPERATURA DE COR: **Ver tabela**
Ra: **>80**
LÂMPADA: **LED**
HORAS DE VIDA: **35.000h**
L70 > 35.000h
COR: **Ver tabela**
DIMENSÃO: **Ver tabela**
CORPO: **Alumínio**
DIFUSOR: **Polycarbonato**

Breno II

FOTOMETRÍA/PHOTOMETRY/PHOTOMÉTRIE/FOTOMETRIA



BRENO II 18W 3.000K

H (m)	D (m)	E _{max} (lx)
1	9.13	52.8
2	18.27	13.2
3	27.40	5.9
4	36.53	3.3
5	45.66	2.1

ACCESORIOS/ACCESSORIES/ACCESSOIRES/ACESSÓRIOS



164986

Cajón para montaje en superficie Ø205mm
Box for surface mountin Ø205mm
Box pour montage en surface Ø205mm
Box para montagem em superficie Ø205mm

INFORMACIÓN/INFORMATION/INFORMATION/INFORMAÇÃO

- | | | | |
|------------------------------------------------------------------------------------------------------------------------------------------------------------------------------------------------------------------------------------------------------|-----------------------------------------------------------------------------------------------------------------------------------------------------------------------------------------------------------------------------------------------------------|-----------------------------------------------------------------------------------------------------------------------------------------------------------------------------------------------------------------------------------------------------------------------------|--------------------------------------------------------------------------------------------------------------------------------------------------------------------------------------------------------------------------------------------------|
| <p>N</p> <ul style="list-style-type: none"> Módulo PCB fabricado en aluminio para favorecer la disipación de temperatura. Placa de policarbonato interna para mejorar la reflexión lumínica. Luz perimetral. | <p>E</p> <ul style="list-style-type: none"> PCB Module made in aluminium in order to make easily the dissipation of temperature . Internal polycarbonate board to improve the light reflection. Perimetral light. | <p>F</p> <ul style="list-style-type: none"> Module PCB réalisée en aluminium afin de faire facilement la dissipation de température. Plaque interne de polycarbonate pour améliorer le reflect de la lumière. Lumière périmétrique. | <p>P</p> <ul style="list-style-type: none"> Módulo PCB feito em alumínio, a fim de facilitar a dissipação de temperatura. Placa interna de policarbonato para melhorar o reflexo da luz. Luz perimetral. |
|------------------------------------------------------------------------------------------------------------------------------------------------------------------------------------------------------------------------------------------------------|-----------------------------------------------------------------------------------------------------------------------------------------------------------------------------------------------------------------------------------------------------------|-----------------------------------------------------------------------------------------------------------------------------------------------------------------------------------------------------------------------------------------------------------------------------|--------------------------------------------------------------------------------------------------------------------------------------------------------------------------------------------------------------------------------------------------|

BAJO PEDIDO/ON REQUEST/SUR COMMANDE/A PEDIDO

- | | | | |
|-----------------------------------------------------------------------------------------------------------------------|----------------------------------------------------------------------------------------------------------------|----------------------------------------------------------------------------------------------------------------------|------------------------------------------------------------------------------------------------------------------------------|
| <p>N</p> <ul style="list-style-type: none"> Kit de emergencia. Regulación 1-10V, DALI. | <p>E</p> <ul style="list-style-type: none"> Emergency kit. 1-10V, DALI dimming. | <p>F</p> <ul style="list-style-type: none"> Equipe d'urgence. Régulation 1-10V, DALI. | <p>P</p> <ul style="list-style-type: none"> Equipamento de emergencia. Regulable 1-10V, DALI. |
|-----------------------------------------------------------------------------------------------------------------------|----------------------------------------------------------------------------------------------------------------|----------------------------------------------------------------------------------------------------------------------|------------------------------------------------------------------------------------------------------------------------------|