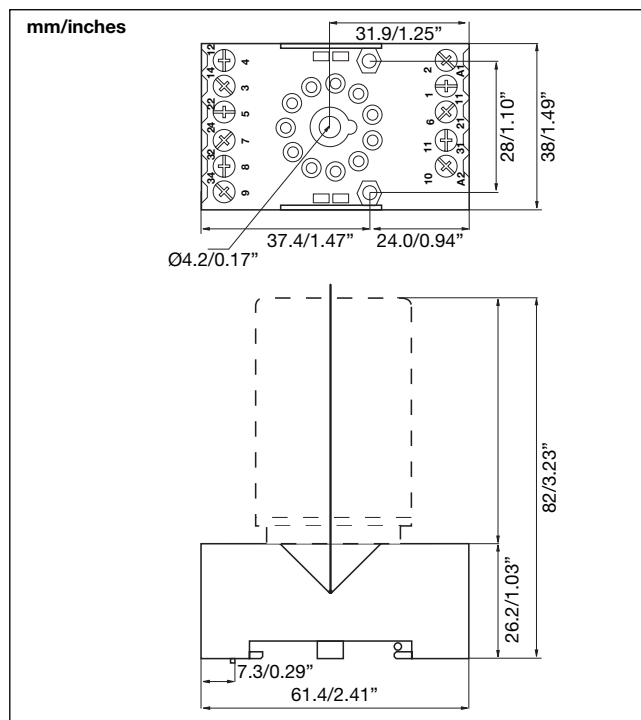


Sockets for RCP relays

ZPD 11A



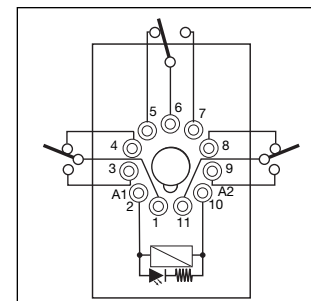
General data

Rated voltage	400VAC
Rated current	10A
Insulation voltage	>3kV
Protection degree	IP 20 (EN60529)
Operating temperature range	-25° to +70°C (-13° to +158°F)
Socket material	PA46-S250F6 (V0)
Socket colour	RAL 7035 / Pantone 1C
Terminal type	Screw cage
Screw type	M3 with combi head (slotted, Philips Gr.1, Pozi)
Maximum screw torque	1N/m
Max Wire section	2 x 2.5mm ² (14AWG)
Flex / compact wire	2 x 1.5mm ² (16AWG)
Cable End	
Contacts material	Nikel plated - CuSn6.5-0.1

Terminal type



Wiring diagram



Approvals



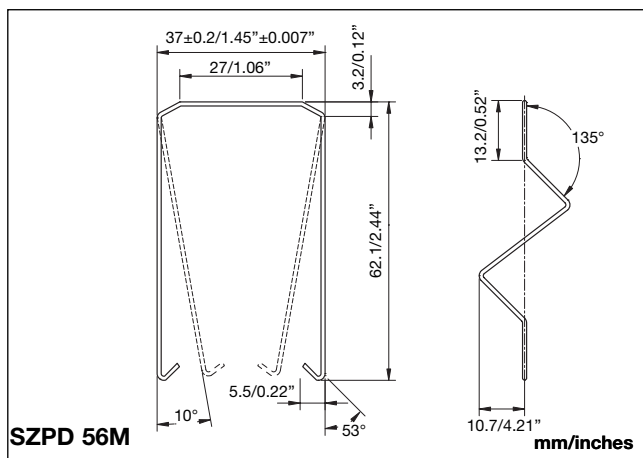
Ordering part number	ZPD11A
Box content:	10 sockets
Box size: (W 145 x D 130 x H 45) mm	Weight: 550g
(W 5.71 x D 5.12 x H 1.77) inches	Weight: 19.40oz

Optional Accessories (to be ordered separately if required)

Hold-down spring steel SZPD56M

Optional Springs for ZPD series

SZPD 56M



General data

Spring material

Stainless steel

Packaging

Box content:

1 plastic bag, 10pcs.

Weight:

~10g (0.36oz)

RoHS
COMPLIANT